

TEMPTech

QUICK START GUIDE

Ref. OX40DRB-24

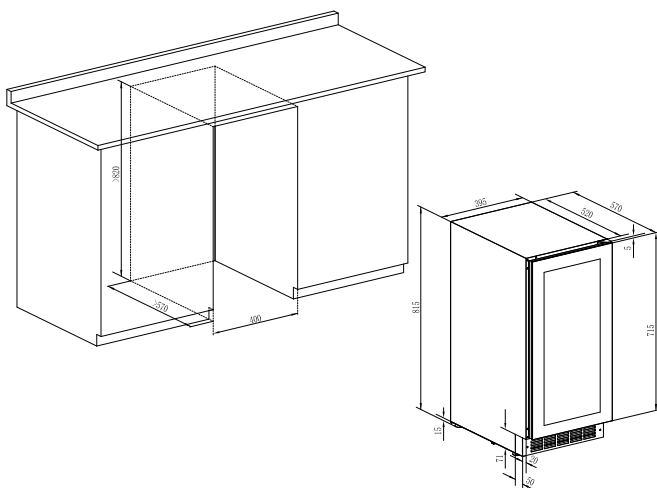


Important Safety Instructions

For your safety and correct use of the device, carefully read the instructions and warnings before installing and using the wine cabinet for the first time. Visit our websites to download the complete instructions manual and see compatible accessories.

1. Installation and Getting Started

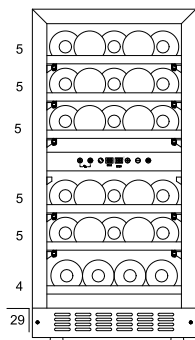
- **Choose the Right Location:** Place the wine cellar in a well-ventilated room away from direct sunlight or heat sources. Optimal performance occurs between 23°C and 25°C.
- **Surface Requirements:** Install on a flat, stable surface. Ensure adequate space for door opening (some models require a door opening of more than 90°).
- **Wait Before Use:** Allow the appliance to sit for 24 hours before starting, to ensure the refrigerant circuit is fully efficient.
- **Power Connection:** Plug the power cord into a wall outlet.



- **Net Product Dimensions:**
WxHxD: 395 x 815 x 570 mm
- **Net Niche Dimensions:**
WxHxD: 400 x 820 x 570 mm

2. Capacity and Storage

- **Shelving:** Supplied with 6 beech shelves, the wine cellar can store up to 29 Bordeaux 75cl bottles.
- **Capacity Guidelines:** The stated capacity is based on EN62552 standards. Different bottle types or adding extra shelves may reduce the storage capacity.
- **Customization:** Some models allow for personalized interior configurations. View compatible accessories on our websites

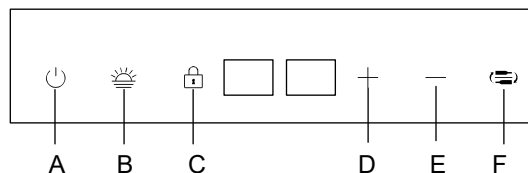


3. Temperature Settings

Temperature Adjustment: Set the temperature between 5°C and 20°C based on the type of wine. Avoid frequently opening the door to maintain stable conditions.

Control Panel Instructions:

- There is auto lock on the control panel, please unlock before operating the light or temperature.



- **(A) Power On/Off:** Press and hold for 4 seconds.
- **(B) Light On/Off:** Press to turn the light on or off, and adjust the light brightness, 100%-50%-0%.
- **(C) Unlock Control Panel:** Press for 3 seconds to lock/unlock.
- **(D+E) Change Temperature Unit:** Under lock condition, press to switch between Celcius and Farenheit.
- **(D/E) Temperature Adjustment:** Use the up or down keys to increase or decrease temperature by 1°C.
- **(F) Zone Control:** Press to adjust the temperature for either the upper or lower zone.
- **(B+F) Demo Mode:** Press and hold for 5 second to enter/exit.

4. Maintenance and Cleaning

- **Regular Cleaning:** Unplug the appliance before cleaning. Use warm water with mild detergent, then rinse with clean water. Allow to dry completely before reconnecting.
- **Filter Replacement:** Replace the charcoal filter annually if your cellar has one.
- **LED Lighting:** The interior LED lighting is designed for long-term use and cannot be changed by the consumer. For replacement, contact after-sales service.
- **Error Codes:** If an error code appears, contact after-sales service. Spare parts are available for up to 10 years as per EU Regulation 2019/2019



Access to Manual & Documents

For more detailed instructions, download the complete product manual and other documents at our websites.

www.temptech.no/en/product-information/