

# PHAR200

## Refrigerated medical cabinet

POSITIVE COLD

+2°C +8°C

### ✓ Product complies with DIN1377 standard

- Indicated for the storage of medicines
- Electronic thermostat
- Security lock
- Automatic defrosting for easy maintenance
- Temperature fluctuation alarm (high and low)
- Open door alarm
- Power failure alarm
- Probe failure alarm
- 48-hour backup battery ensures cold chain traceability in case of a breakdown

REFRIGERATED CABINET RANGE POSITIVE COLD	+2°C to +8°C
Reference	PHAR200
Net volume	130 L
Temperature range	+2°C to +8°C
Required voltage (V)	220 – 240
Frequency (Hz)	50
Net dimensions (mm)	H 810*W 650*D 625
Internal dimensions (mm)	H 588*L 554* P 510
Net weight (Kg)	51
Gross weight (Kg)	56



# PHAR200

## Refrigerated medical cabinet

POSITIVE COLD

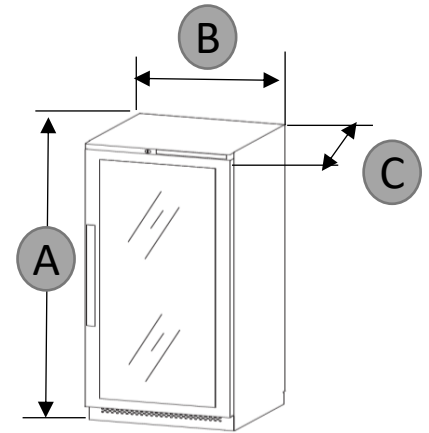
+2°C +8°C

Net Volume	130 L
Temperature control	Electronic thermostat
Temperature alarm	Yes (sound and visual)
Open door alarm	Yes
Cooling system	No-frost
Defrosting	Automatic
Lock	Yes
Interior lighting	LED
Temperature display	Yes
ABS plate	Yes
Cable passage for probe	∅ 25 mm
Insulating foam	Polyurethane
Door type	Glass
Self-closing door system	Yes
Refrigerant gas	R600a / 55g
Equipment	1 shelf + 1 drawer + 1 half basket
Equipment dimensions	1 shelf: 518 X 412 X 24 1 drawer: 542 X 408 X 60 1 half-basket: 546 X 286 X 133
Shelf type	Perforated stainless steel plate
Reversible door	No
Adjustable feet	2
Casters	2
Sound level	42 dB
Energy consumption kWh/24h	1,6 kWh
Sensors	2
Remote alarm terminal	Yes
RS485 interface	Yes

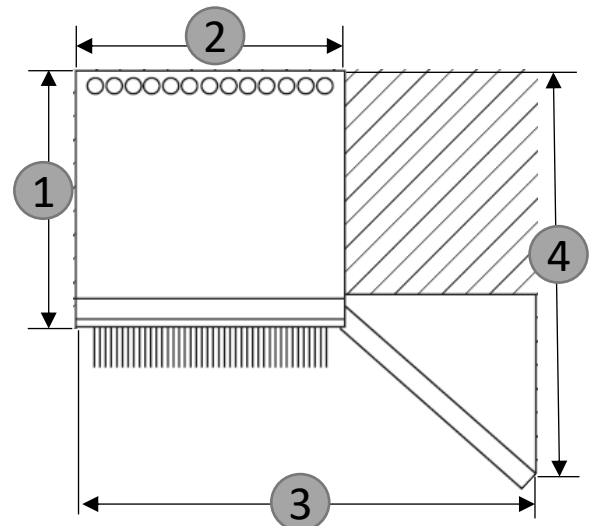
### DIMENSIONS



1.80m



Height "A": 810 mm  
Width "B": 650 mm  
Depth "C": 625 mm



Depth "1": 625 mm  
Width "2": 650 mm  
Door width "3": 1092 mm  
Width with open door "4": 1060 mm