

# TEMPTECH

## Wine Coolers USER MANUAL

**Model: PFS58SSB**

*This manual contains important information including **safety and installation instructions** of the appliances. Please read it carefully before use and follow all safety information & instructions. It is recommended to keep this manual for easy reference so that you can be familiar with the operation of the appliance.*

# CONTENTS

---

Safety information	1	Electrical connection	6
Control panel	3	Installation	6
Operation	3	What to do if...	10
Maintenance	5	Environmental concerns	10
Customer service and spare parts	6		

## SAFETY INFORMATION

---

It is most important that this instruction book should be retained with the appliance for future reference. Should the appliance be sold or transferred to another owner, or should you move house and leave the appliance, always ensure that the book is supplied with the appliance in order that the new owner can be acquainted with the functioning of the appliance and the relevant warnings.

If this appliance featuring magnetic door seals is to replace an older appliance having a spring lock (latch) on the door or lid, be sure to make that spring lock unusable before you discard the old appliance. This will prevent it from becoming a death-trap for a child.

These warning are provided in the interest of safety. You must read them carefully before installing or using the appliance.

### General Safety

The appliance is designed exclusively for domestic use. The appliance is intended to be used exclusively for the storage of the wine as explained in this instruction booklet.

### WARNING

Risk of injury due to broken glass! In case of transport at an altitude of over 1100m the glass panes of the door may break. The door may break. The fragments have sharp edges and may cause serious injury. Take appropriate protective action.

- This appliance is not intended for use by persons (including children) with reduced physical, sensory or mental capabilities, or lack of experience and knowledge, unless they have been given supervision or instruction concerning use

of the appliance by a person responsible for their safety. Children should be supervised to ensure that they do not play with the appliance.

- It is dangerous to alter the specifications or modify this product in any way.
- Before any cleaning or maintenance work is carried out, be sure to switch off and unplug the appliance.
- This appliance is heavy. Care should be taken when moving it.
- Take utmost care when handling your appliance so as not to cause any damages to the cooling unit with consequent possible fluid leakages.
- The appliance must not be located close to radiators or gas cookers.
- Avoid prolonged exposure of the appliance to direct sunlight.
- There must be adequate ventilation round the the appliance and any damage to the refrigerant circuit must be avoided.
- Do not use other electrical appliances (such as ice cream makers) inside of refrigerator appliance.
- **Do not store explosive substances such as aerosol cans with a flammable propellant in this appliance.**
- **This appliance is intended to be used in household and similar applications such as -staff kitchen areas in shops, offices and other working environments; -farm houses and by clients in hotels, motels and other residential type environments; -bed and breakfast type environments; -catering and similar non-retail applications.**
- **Keep burning candles, lamps and other items with naked flames away from the appliance so that do not set the appliance on fire.**

### Service/Repair

- Any electrical work required to install this appliance should be carried out by a

- qualified electrician or competent person.
- This product should be serviced by an authorized Service Center, and only genuine spare parts should be used.
- Under no circumstances should you attempt to repair the appliance yourself. Repairs carried out by inexperienced persons may cause injury or more serious malfunctioning. Refer to your local Service Centre, and always insist on genuine spare parts.
- This appliance contains hydrocarbons in its cooling unit; maintenance and recharging must therefore only be carried out by authorized technicians.

## Use

- The domestic wine refrigerator is designed to be used specifically for the storage of potable wine only.
- Best performance is obtained with ambient temperature as follows:

Climate classification	For an ambient temperature	Relative humidity
0	20°C	50
1	16°C	80
2	22°C	65
3	25°C	60
4	30°C	55
5	27°C	70
6	40°C	40
7	35°C	75

The class of your appliance is shown on its rating plate.

- **Warning:** when the ambient temperature is not included within the range indicated for the class of this appliance, the following instructions must be observed: when the ambient temperature rises up the maximum level, the storage temperature in the refrigerator cannot be guaranteed, it is advisable to use the food stored as soon as possible.
- Do not put hot pot on the plastic parts of the appliance.
- Do not store flammable gas and liquid in the appliance, because they may explode.
- Do not place wine directly against the rear wall of compartment.
- The appliance's manufactures storage recommendations should be strictly

- adhered to. Refer to relevant instructions.
- The inner lining of the appliance has channels through which the refrigerant passes. Should the channels be punctured the unit would be damaged beyond repair. **DO NOT USE SHARP INSTRUMENTS** to scrape of frost or ice. Frost may be removed by using a scraper. Under no circumstances should be solid ice be forced off the liner. Solid ice should be allowed to thaw when defrosting the appliance.

## Installation


**Important:** For electrical connection carefully follow the instructions given in specific paragraphs.

- Unpack the appliance and check if there are damages on it. Do not connect the appliance if it is damaged. Report possible damages immediately to the place you bought it. In that case retain packing.
- During normal operation, the compressor and/or condenser at the back of the appliance heat up considerably. For safety reasons, minimum ventilation must be as shown in the instructions.

**Attention: keep ventilation openings clear of obstruction.**

- Care must be taken to ensure that the appliance does not stand on the electrical supply cable.
- **Important:** if the supply cord is damaged, it must be replaced by a special cord or assembly available from the manufacture or its service agent.
- If the appliance is transported horizontally, it is possible that the oil contained in the compressor flows in the refrigerant circuit. It is advisable to wait at least two hours before connecting the appliance to allow the oil to flow back in the compressor.
- There are working parts in this product which heat up. Always ensure that there is adequate ventilation as a failure to do this will result in component failure and possible loss. See installation instructions.
- Parts which heat up should not be exposed. Wherever possible the back of the product should be against a wall.


## Environment Protection

This appliance does not contain gasses which could damage the ozone layer, in either its refrigerant circuit or insulation materials. The appliance shall not be discarded together with the urban refuse and rubbish. The insulation foam contains flammable gasses: the appliance shall be disposed according to the applicable regulations to obtain from your local authorities. Avoid damaging the cooling unit, especially at the rear near the heat exchanger. The materials used on this appliance marked by the symbol  are recyclable.

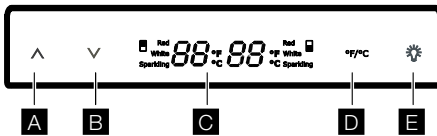
## Use

### Cleaning the interior

Before using the appliance for the first time, wash the interior and all internal accessories with lukewarm water and some neutral soap so as to remove the typical smell of a brand-new product, and then dry naturally and thoroughly.

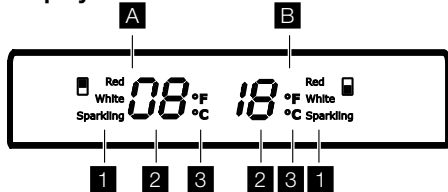
 **Do not use detergents or abrasive powders, as these will damage the finish.**

## CONTROL PANEL



- A** Temperature circle key of upper zone
- B** Temperature circle key of lower zone
- C** Display
- D** °F and °C exchanging key
- E** Light On/Off key

## Display



- A** Display of upper zone
- B** Display of lower zone
- 1** Wine storage type
- 2** Temperature indicator
- 3** °F or °C indicator

## OPERATION

After inserting the plug in the socket, the wine refrigerator will run immediately.

### Temperature regulation

Press “^” key to cyclically regulate the temperature of upper zone.

Press “v” key to cyclically regulate the temperature of lower zone.

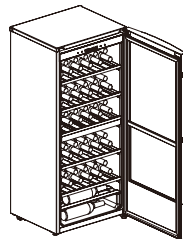
The correct position must in any case be determined bearing in mind that the inside temperature depends on these factors:

- Room temperature
- How often the door is opened
- The quantity of bottles stored
- The position of the appliance

## Use

### Wine arrangement

Please place the wine bottles as shown below.



PFS58SSB

**Keep the wine in the dark.** The door is in anti-UV darkened triple glass to protect the wine from the light in case the refrigerator is located in well-lit place.

**Lay the bottles down** in such a way that the corks do not dry.

**Avoid switching the appliance light on too often** or for too long. Wine keeps better in dark.

**Handle the bottles with care**, to avoid agitating the wine.

**Follow the recommendations** and advice received at the time of purchase or given in the technical documentation regarding the quality, duration and optimum storage temperature of the wine.

### Storage advice

The storage time for wine depends on ageing, the type of grapes, alcoholic content and level of fructose and tannin contained in it. At the time of purchase, check if the wine is already aged or if it will improve over time.

### Recommended storage temperature:

- For champagne and sparkling wines, between 6 and 8 °C
- For white wines, between 10 and 12 °C
- For rose and light red wines, between 12 and 16 °C
- Aged red wines, 14-16 °C

**When placing various bottles on top of each other**, make sure they do not touch the refrigerator cooling plate.

### Bottle "Light On"

Bottles can be illuminated in different ways.

1. The interior light will be on automatically for 5 minutes when the wine refrigerator is powered on.
2. The interior light can be turned on or off by pressing the light On/Off key.
3. Interior light will be switched on immediately when the door is open. And it will be off automatically after the door has been open for ten minutes.
4. Interior light will be switched off after the door is close for 5 minutes.

### °F/°C exchange

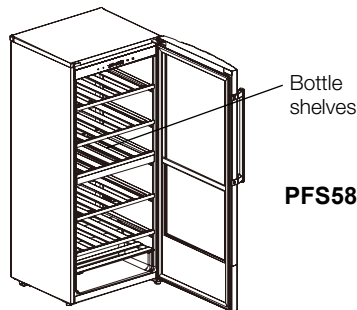
The temperature can be exchanged from °F to °C by pressing the °F/°C exchanging key.

### Switching off

Switch the power point off and unplug the wine cooler.

### Inside accessories Shelves

The shelves can be removed for cleaning.



# MAINTENANCE

---

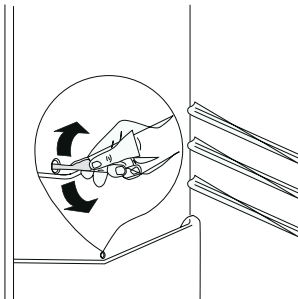
Unplug the appliance before carrying out any operation.

## Important

This appliance contains hydrocarbons in the refrigerant circuit; therefore maintenance and recharging must only be carried out by personnel authorized by the manufacturer.

## Defrosting

Defrosting in the refrigerator compartment occurs automatically. The defrost water is run into a bowl located at the back of the appliance, above the compressor, where it evaporates. Make sure to periodically clean the defrost water drain hole, using the special "cleaner".



## Cleaning

Cleaning the inside, removing the shelves, with lukewarm water and a mild detergent.

Periodically clean the defrost water drain hole.

Periodically clean motor compressor with a brush or vacuum cleaner. This operation will improve operation, with consequent energy saving. During periods when the appliance is not being used, take the following precautions:

- unplug the appliance;
- defrost and clean the inside and all the accessories;
- leave the door ajar to prevent the formation of unpleasant odours.

## Important

**Never use metal objects to clean the appliance.**

## Lamp replacement safety instructions

For safety reasons this appliance is provided with special lamps specifically tested and certified for the intended use.

They can only be replaced with lamps of the same type and having the same characteristics.

Lamps must be replaced by authorized service agents only.

## CUSTOMER SERVICE AND SPARE PARTS

---

If the appliance is not functioning properly, check that:

- The plug is firmly in the wall socket and the mains power switch is on;
- There is electricity supply (find out by plugging in another appliance);
- If there are water drops on the bottom of the cabinet, check that the defrost water drain opening is not obstructed (see “Defrosting” section).
- If your appliance is still not working properly after making the above checks, contact the nearest service centre.

- If the power cable is damaged, it must be replaced immediately by an authorized service agent.

**To obtain fast service, please indicate the model and serial number of your appliance which can be found on the guarantee certificate or on the rating plate located inside the appliance, on the bottom left-hand side.**

## ELECTRICAL CONNECTION

---

Before plugging in, ensure that the voltage and frequency shown on the serial number plate correspond to your domestic power supply. Voltage can vary by  $\pm 6\%$  of the rated voltage.

### **The appliance must be earthed**

The power supply cable plug is provided with a contact for this purpose. The power

socket must have an earth connection in line with electrical safety regulations.

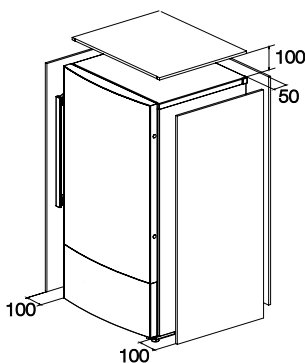
**The Manufacturer declines all responsibility if the above safety precautions are not observed.**

## INSTALLATION

---

### **! Important**

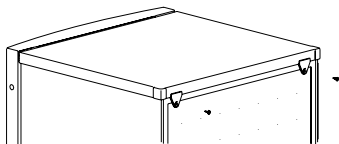
In order to reserve the required space around the refrigerator for ventilation, please keep 100mm distance around the sides and top of the refrigerator. A 50mm minimum distance from the back wall is also required.



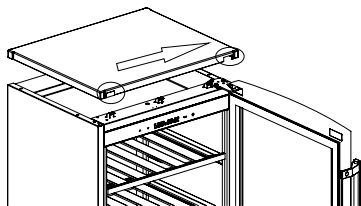
## Door reversibility

Before carrying out any operations, remove the plug from the power socket. To change the opening direction for the door, proceed as follows:

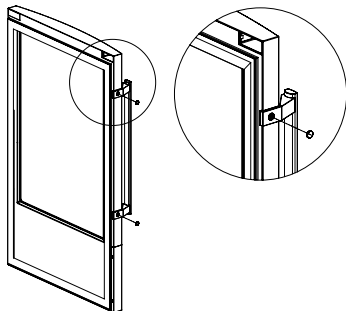
1. Remove the two screws at the rear of the top cover.



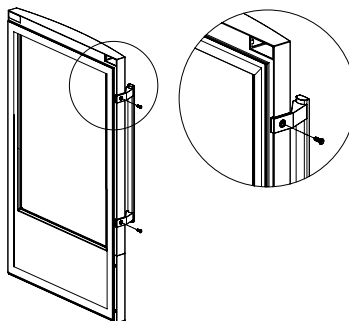
2. Push the top cover forward until it is free. And move the small plate from left to right. Then put the top cover on a safe place to avoid scratch.



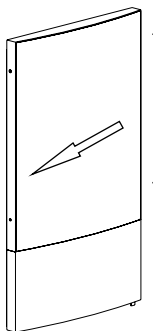
3. Remove the two screw covers.



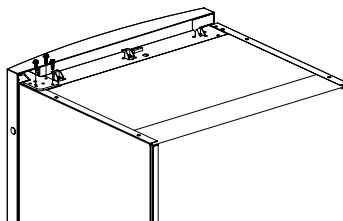
4. Remove the two screws and take the handle off. Put the handle in a safe place.



5. Move the hole covers from the left side to the right side.

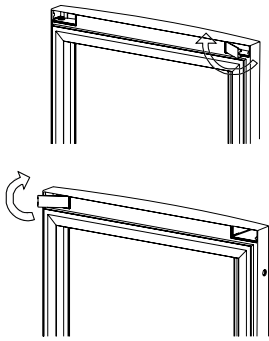


6. Unscrew and remove the hinge, then lift the door and put it on a padded surface to avoid scratch. Put the hinge and the screws in a safe place.

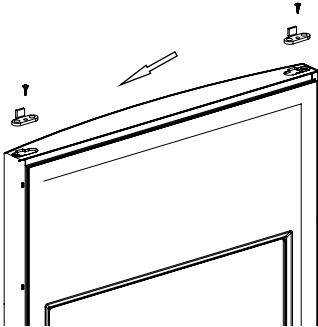


7. Remove the small cover and place it in the opposite side of the door.

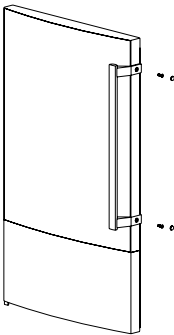




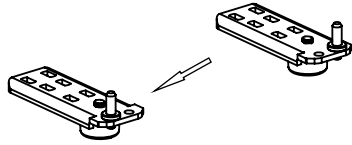
8. Rotate the door, remove the screws of the stopper. Reinstall the stopper on the opposite side of the door using the same screws.



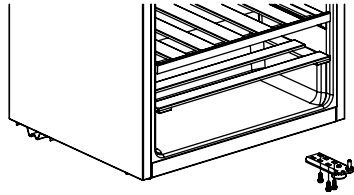
9. Fix the handle on the left side, insert the plastic cover that can be found in bag of the instruction manual.



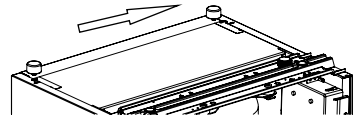
10. Lay the appliance on a soft rug or similar article to protect it. Unscrew and remove the lower hinge pin and install it to other hole.



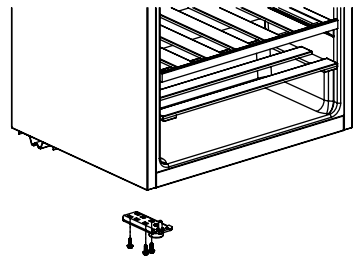
11. Unscrew the screws that fix the lower hinge and take the lower hinge with foot off.



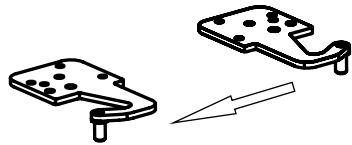
12. Move the foot from left to right and fix it in right hole show in below picture.



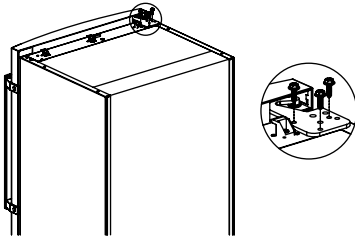
13. Fix the lower hinge with screws on the opposite side.



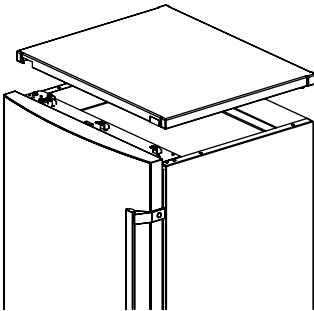
14. Remove the pin in the upper hinge. Turn the hinge over and replace the pin.



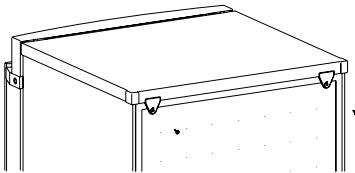
15. Put the door on the lower hinge.  
Holding the door against the cabinet insert the pin of the hinge in the door. The right and left sides of the door must align with the sides of the cabinet. And then securely fix the upper hinge.



16. Place the top cover on the top of the refrigerator and push it to back side until it is hooked by the fixed blocks.



17. Fix the top cover by the two screws.



## Levelling

The appliance should be leveled with a small inclination backward to help the closing of the door. Four adjustable feet are provided for that purpose. All four feet must be firmly in contact with the ground for stability and to reduce vibration.

**Warning:** Reposition, level the appliance, wait for at least four hours and then connect it to the power socket. If you prefer, please contact Temptech Customer Care to have the door reversed by an authorized agent at for a small fee.

**Warning:** After having reversed the opening direction of the door check that all the screws are properly tightened and that the magnetic seal adheres to the cabinet. If the ambient temperature is cold (i.e. in Winter), the gasket may not fit perfectly to the cabinet. In that case, wait for the natural fitting of the gasket.


## WHAT TO DO IF...

**⚠ Warning:** Before troubleshooting, disconnect the power supply. Troubleshooting other than that listed in the table below must only be carried out by an authorized service agent.

**⚠ Important:** Noises from the compressor and refrigerant circulation during operation are normal and do not indicate malfunction.

Malfunction	Possible cause	Remedy
The wine is too warm.	Temperature is not properly adjusted.	Please look in the "Use" section.
	Door was open for an extended period.	Open the door only as long as necessary.
	The appliance is near a heat source.	Please look in the "Installation" section.
Interior lighting does not work.	Light bulb is defective.	Please look in the "Maintenance" section.
Heavy build up of frost, possibly also on the door seal.	Door seal is not air tight (possibly after changing over the hinges).	Carefully warm the leaking sections of the door seal with a hair dryer (not hotter than approx. 50 °C). At the same time shape the warmed door seal by hand such that it sits correctly.
Unusual noises.	Appliance is not level.	Readjust the feet.
	The appliance is touching the wall or other objects.	Move the appliance slightly.
	A component, e.g. a pipe, on rear of the appliance is touching another part of the appliance or the wall.	If necessary, carefully bend the component out of the way.
The compressor does not start immediately after changing the temperature setting.	This is normal, no error has occurred.	The compressor starts after a period of time.
Water on the floor.	Water drain hole is blocked.	See the "Cleaning" section.

## ENVIRONMENTAL CONCERNS

The symbol  on the product or on its packaging indicates that this product may not be treated as household waste. Instead it shall be handed over to the applicable collection point for the recycling of electrical and electronic equipment. By ensuring this product is disposed of correctly, you will help prevent potential negative

consequences for the environment and human health, which could otherwise be caused by inappropriate waste handling of this product. For more detailed information about recycling of this product, please contact your local city office, your household waste disposal service or the shop where you purchased the product.